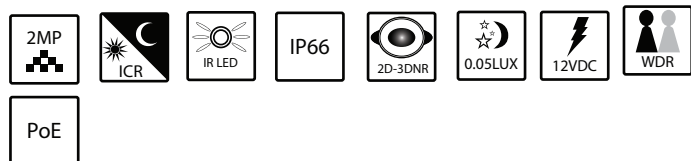


V-WEB SERIES

VVIP-2V

2 Megapixel Vandal Network IR Dome



Key Features

- 1/2.9" Progressive Scan CMOS
- Varifocal Lens 2.8-12mm
- Multiple Streams
- Full HD 1080P
- PoE
- Onvif 2.4 (Profile S)
- Support HTTPS and multi-level password
- BLC (Black Light Compensation)
- Supports Motion Detection
- WDR more than 100dB
- Day/Night with ICR
- Low bitrate; excellent low light performance
- 2D + 3D DNR (Digital Noise Reduction)
- Supports ROI, HLC, Corridor mode

Specifications	
Image Sensor	1/2.9" Progressive Scan CMOS
Min. Illumination	Color: 0.05Lux; IR ON: 0 Lux
Day & Night	ICR
Shutter Speed	1/5-1/20,000
Auto Iris	Default Fixed, Auto Iris Optional
Wide Dynamic Range	dWDR
Digital Noise Reduction	2D/3D
Lens	2.8-12mm Lens
FOV	Wide: 89°x 55.8° (HxV) Tele: 35° x 17.9° (HxV)
IR LED	12pcs
IR Range	20-30m
IMAGE	
Video Compression	H.264 High/Main/Baseline Profile, MJPEG
Bit Rate (CBR/VBR)	Main Stream: 500Kb-12000Kb; Sub stream 100Kb-6000Kb
Audio Compression	G.711, RAW_PCM
Max. Resolution	1920x1080/30fps
Stream	Stream1: 1920x1080/1280x720 Stream2: D1 to QVGA
Image Setting	Rotate Mode, Saturation, Brightness, Contrast, Sharpness
HLC	Yes
9:16 Corridor Mode	Yes
ROI	Yes
Defog	N/A
Network	
Network Protocols	HTTP, HTTPS, TCP/IP, UDP/IP, RTSP, DHCP, NTP, PPoE, Unicast and Multicast supported
Alarm Trigger	Motion Detection, Network Disconnect, Disk Alarm, I/O Alarm
RTSP Video	Standard RFC2326, Support QuickTime/ VLC Player
Security	User security authentication, Reset, Hardware WatchDog
Web Language	English, Polish, Italian, Portuguese, Spanish, Chinese
System Compatibility	Onvif, CGI

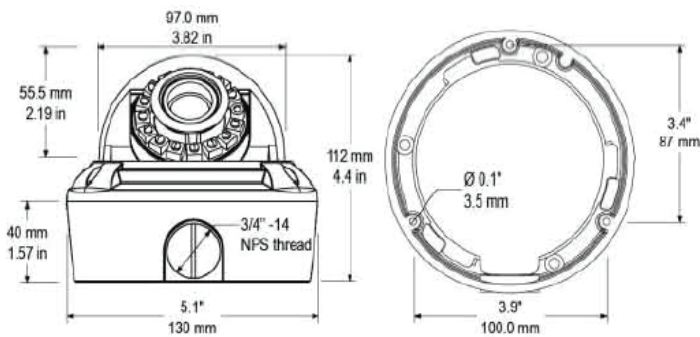
V-WEB SERIES

VVIP-2V

2 Megapixel Vandal Network IR Dome



Dimensions



Accessories



Specifications	
Interface	
Ethernet	1 Ethernet(10/100 Base-T) RJ-45 Connector
Audio I/O	1ch Audio In & 1ch Audio Out
Alarm I/O	1ch Alarm In & 1ch Alarm Out
RS485	N/A
BNC Output	Yes
Reset Button	Yes
Edge Storage	Micro SD/SDHC slot, max 32GB
General	
Power Supply	DC12V/PoE
Power Consumption	5W(IR LED off); 7W (IR LED on)
Operating Temperature	(-30°C to 60°C)
Operating Humidity	0%-90% RH
Ingress Protection	IP66
Approvals	CE/FCC/IK10
Product Dimensions	130 x 112mm
Product Weight	900g (1.98 lbs)

--	--