

VBIP-4V-H5Z

H.265/H.264 4MP IR Motorized Bullet Camera



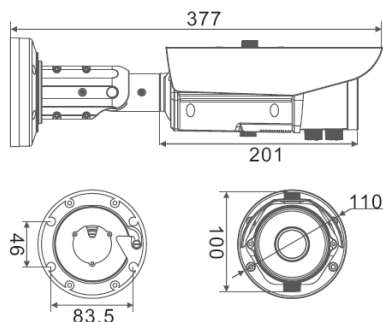
VEILUX[®]
The Art of Surveillance



Key features

- 1/3" Progressive Scan CMOS
- Motorized Lens 2.7-12mm
- 4MP@15fps,3MP@30fps,1080P@30fps
- 4MP Resolution 2688x1520
- Triple Streams
- Smart IR Range 65m
- Low bitrate ,Excellent low light performance
- WDR >120dB, 3D DNR
- ROI,Defog,HLC,Corridor mode,DIS
- POE
- Onvif 2.4(Profile S)
- Support HTTPS and Multi level password
- BLC (Black Light Compensation)]
- Supports Motion Detection
- WDR More than 120 dB
- Video Compression H.264/265, MJPEG

Dimension



Specifications

CAMERA	
Image Sensor	1/3" Progressive Scan CMOS
Min. illumination	Color 0.05Lux; IR ON 0 Lux
Day & Night	ICR
Shutter Speed	1/5-1/20000
Auto Iris	Auto Iris
Wide Dynamic Range	WDR>120dB
Digital Noise Reduction	2D/3D
Lens	Motorized lens 2.7-12mm
FOV	90° ~ 35°
IR LED	14pcs
IR Range	65m
IMAGE	
Video Compression	H.264/265, MJPEG
Bit Rate (CBR/VBR)	Main stream:500kb-12000kb ;Sub stream 100kb-6000kb
Audio Compression	G.711 ,RAW_PCM
Max.Resolution	2688*1520/2560*1440/30fps,2304*1296/30fps,1920x1080/30fps
Stream	Stream1 2688*1520/2560*1440/2304*1296/1920x1080 Stream 2 D1 to QVGA
Image Setting	Rotate Mode,Saturation,Brightness,Contrast,Sharpness
HLC	Yes
9:16 Corridor mode	Yes
DIS	Auto
ROI	Yes
Defog	Yes
NETWORK	
Network Protocols:	HTTP,HTTPS, TCP/IP, UDP/IP, RTSP, DHCP, NTP, PPPoE, Unicast and Multicast supported.
Alarm Trigger	Motion Detection, Network disconnect,Disk alarm
RTSP Video	Standard RFC2326, Support QuickTime / VLC Player.
Security	User security authentication, Reset, Hardware WatchDog
Web Language	English, Chinese,Polish,Italian,Portuguese,Spanish (Sunell Brand)
System Compatibility	Onvif,CGI
INTERFACE	
Ethernet	I1 Ethernet (10/100 Base-T) RJ-45 Connector
Audio I/O	1ch Audio In&1ch Audio Out
Alarm I/O	1ch Alarm In&1ch Alarm Out
RS485	Yes
BNC Output	Yes
Reset Button	Yes
Edge Storage	Micro SD/SDHC/SDXC slot ,Max 64GB
GENERAL	
Power Supply	DC12V/POE
Power Consumption	5W(IR LED OFF); 8W (IR LED ON)
OperatingTemperature	-30℃ ~+60℃
Operating Humidity	0% - 90% RH
Ingress Protection	IP66 , IK10
Approvals	CE / FCC
Product Dimensions	φ 110*377mm
Product Weight	1680g