

# VBIP-12V-H5Z

12MP Motorized Network Bullet Camera



**VEILUX**<sup>®</sup>  
*The Art of Surveillance*



## Key features

- 1/1.7 " Sony Progressive Scan CMOS
- Motorized lens 4.1-12.8mm
- 12MP Resolution
- Triple Streams
- Smart IR Up to 80m
- Low bitrate ,Excellent low light performance
- 3D DNR,dWDR,ICR
- ROI,Defog,HLC,Corridor mode,DIS

## Specifications

Camera	
<b>Image Sensor</b>	1/1.7 " Progressive Scan CMOS
<b>Min. illumination</b>	Color :0.009Lux@(F1.2,AGC ON); B&W: 0Lux@(IR LED ON)
<b>Day &amp; Night</b>	ICR
<b>Shutter Speed</b>	1/5s~1/20000s
<b>Auto Iris</b>	Yes
<b>Wide Dynamic Range</b>	dWDR
<b>Digital Noise Reduction</b>	2D/3D
<b>Lens</b>	4.1-12.8mm Motorized
<b>FOV</b>	98°-34.5°
<b>IR LED</b>	8pcs
<b>IR Range</b>	Up to 80m
Image	
<b>Video Compression</b>	H.265/H.264/MJPEG
<b>Bit Rate (CBR/VBR)</b>	Main stream:500Kb-16Mb ; Sub stream 100Kb-6Mb
<b>Audio Compression</b>	G.711 ,RAW_PCM
<b>Max. Resolution</b>	4000*3000@20fps
<b>Stream</b>	Stream1 4000*3000/20fps;4096x2160/3840x2160/1920x1080/1280x720/30fps Stream2 D1/VGA/CIF Stream3 4000*3000 /4096*2160 /3840*2160 /1920*1080 /1280*720 /D1/VGA/CIF
<b>Image Setting</b>	Rotate Mode, Saturation, Brightness, Contrast, Sharpness
<b>HLC</b>	Yes
<b>9:16 Corridor Mode</b>	Yes
<b>DIS</b>	Auto
<b>ROI/Defog</b>	Yes
Network	
<b>Network Protocols:</b>	IPv4,802.1x,HTTP,HTTPS,TCP/IP,UDP/IP,RTSP,DHCP,NTP, RTCP/RTP, PPPoE, SMTP, DNS, UPnP, FTP, ICMP ,IGMP, Unicast and Multicast
<b>Alarm Trigger</b>	Perimeter ,Single Virtual Fences ,Double Virtual Fences ,Loiter ,Multi Loiter ,Object Left ,Object Removed, Abnormal Speed ,Converse, Illegal Parking ,Signal Bad ,Motion Detection, Network disconnect, Disk alarm
<b>RTSP Video</b>	Standard RFC2326, Support QuickTime / VLC Player.
<b>Security</b>	User security authentication, Reset, Hardware Watch Dog
<b>Web Language</b>	English, Polish, Italian, Portuguese, Spanish, Russian, French, Czech, Hungarian
<b>System Compatibility</b>	Onvif

# VBIP-12V-H5Z

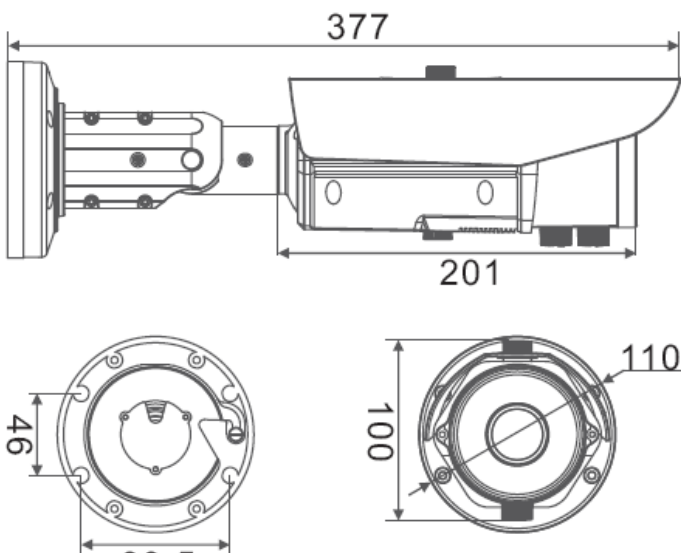
12MP Motorized Network Bullet Camera



**VEILUX**<sup>®</sup>  
*The Art of Surveillance*

Interface	
<b>Ethernet</b>	1 Ethernet (10/100 Base-T) RJ-45 Connector
<b>Audio I/O</b>	1ch Audio In, 1ch Audio Out
<b>Alarm I/O</b>	1ch Alarm In, 1ch Alarm Out
<b>RS485</b>	Yes
<b>BNC Output</b>	Yes
<b>Reset Button</b>	Yes
<b>Edge Storage</b>	Micro SD/SDHC/SDXC slot ,Max 128GB
General	
<b>Power Supply</b>	DC12V/POE
<b>Power Consumption</b>	Max11W
<b>Operating Temperature</b>	Starting Temperature: -30 ° C – 60 ° C (-22 ° F – 140 ° F) Working Temperature: -40 ° C ~ 60 ° C (-40 ° F ~ 140 ° F)
<b>Operating Humidity</b>	0% - 90% RH
<b>Ingress Protection</b>	IP67, IK10 optional
<b>Certificates</b>	CE / FCC
<b>Product Dimensions</b>	φ 110 × 377mm
<b>Product Weight</b>	1700g

## Dimensions



**MADE IN THE USA**  
With Foreign & Domestic Parts