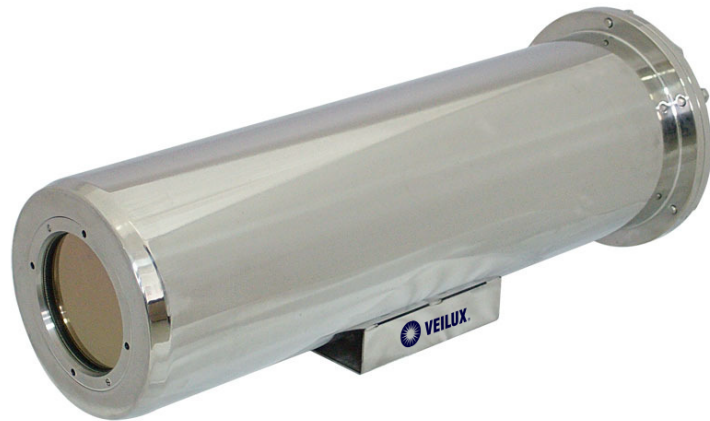


SVEX-THERMAL-TC100

SVEX-100 EX-Proof Housing For Thermal Camera



VEILUX[®]
The Art of Surveillance



IP66

ISO
9001

Description

SVEX-100 thermal camera housing is available with a viewing germanium window designed for thermal imaging cameras installation, used in a extremely wide range of applications such as: petrol-chemical industry, military purposes, marine (port and harbor surveillance, vessel navigation), night vision security surveillance, etc. Easy installation and maintenance, mounting with pan/tilt, swivels, fixed brackets, base, pole and lattice tower etc. SVEX-100 could be used to install thermal camera for video surveillance and temperature measurement in hazardous area.

Features

- 304 or 316L stainless steel material/ Germanium glass window for thermal image
- 2 cable entry
- IP68
- Indoor or outdoor for all weather use
- Sun shield and Auto-heater are optional
- Special germanium glass to ensure a stable video quality.
- It can work under -20°C to +60°C longtime stably.

SVEX-THERMAL-TC100

SVEX-100 EX-Proof Housing For Thermal Camera



VEILUX[®]
The Art of Surveillance

Certificate

Ex-marking	Exd II CT6 /DIP A20 TA, T6
Certificate	CNEx11.0153

Electrical

Input voltage	220VAC
Voltage scope	± 10%
Working current	≤ 0.5A
Heater(optional)	Work while it is -10°C ± 5°C
Power consumption	≤ 50W (with heating)
Electric connection	2-core for power

Environmental

Air pressure	86~106KPa
Temperature	-20°C~+60°C
Humidity	95%RH(+25°C)

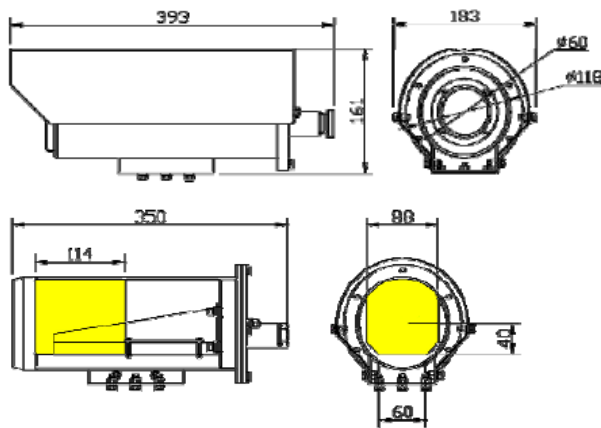
Window Glass

Material	Germanium
Thickness	5mm
Size	Φ 60
Resistance rate	5~40 Ω/cm
Transparency rate	≥ 98% (8~12 μ m)

Mechanical

Material	Stainless steel 304 or 316L
IP	IP68
Weight/ship weight	8Kg / 11Kg
Cable entry	2
Screw type	G-3/4"
Mounting	Pan/tilts, swivel and fixed brackets

Dimensions



Note: The yellow part is the available room for inner camera.

Mounting Size

